

# DESIGN OF QUALITY SYSTEM DOCUMENTATION IN HYDROTILLER PRODUCTION UNIT AS IMPROVEMENT OF QUALITY MANAGEMENT SYSTEM IN SMALL AND MEDIUM ENTERPRISE

**Putri, Nilda Tri**

Department of Industrial Engineering, Faculty of Engineering, Andalas University  
[nilda@ft.unand.ac.id](mailto:nilda@ft.unand.ac.id)

**Retha,Frastia**

Department of Industrial Engineering, Faculty of Engineering, Andalas University  
[rewarau@gmail.com](mailto:rewarau@gmail.com)

**Yusof, Shari Mohd.**

Department of Manufacturing and Industrial Engineering, Faculty of Mechanical Engineering, Universiti Teknologi Malaysia  
[shariyusof@gmail.com](mailto:shariyusof@gmail.com)

**Abstract:** CV Citra Dragon is one of Small and Medium Industries producing equipment and agricultural machinery (also known as *Alsintan*) in West Sumatra, Indonesia. CV Citra Dragon needs to implement a quality management system (QMS) to win the competition as a result of globalization. Implementing QMS based on ISO 9001 are important in helping *Alsintan* become more competitive. QMS applied in CV Citra Dragon is still limited to a single product that is rice thresher machine (thresher). Therefore, the scope of the quality management system in the company needs to be extended to other products that are hydro tiller or tractor turtle which is one of the two main products produced by CV Citra Dragon. QMS is a set of documented procedures and standard practices for the management system that aims to ensure compliance with the requirements of the process and the products that have been set. The existence of a well-documented quality system is important for a company or organization in implementing quality management systems. Therefore, it is necessary to design a quality system documents on CV Citra Dragon related to hydro tiller production process. The design of quality system documents in this research is based on the ISO 9001: 2008. Quality systems documents are required and made in the study include three levels of documentation, the procedures, work instruction, and form.

**Keywords:** *Quality Management Systems (QMS), ISO 9001:2008, procedures, work instructions, forms, Small and Medium Enterprises.*

**Biographical Note:** Nilda Tri Putri is senior lecturer in Department of Industrial Engineering, Faculty of Engineering, Andalas University, Padang, Indonesia. She received her Doctor of Philosophy (Ph.D) from Department of Manufacturing and Industrial Engineering, University Technology Malaysia in 2011. Her research interests include quality engineering, quality control, and total quality management. Her email address is [nilda@ft.unand.ac.id](mailto:nilda@ft.unand.ac.id)

## 1 Introduction

Quality Management System (QMS) is a set of documented procedures and standard practices for the management system that aims to ensure compliance with the requirements of the process and the products that have been set. According to Goetsch and Davis (2002), “a Quality Management System (QMS) consists of all the organization’s policies, procedures, plans, resources, processes, and delineation of responsibility and authority, all deliberately aimed at achieving product or service quality levels consistent with customer satisfaction and the organization’s objectives. When these policies, procedures, plans, etc. are taken together they define how the organization works and how quality is managed.” The ISO 9000 standard is the most well-known and widely used method for implementing quality management system (Rawahi and Bashir, 2011; Ilkay and Aslan, 2012; Bewoor and Pawar, 2010; Devpura et al. 2014). Devpura et al. (2014) revealed that ISO standard is the most popular quality improvement approach. They conducted an exploratory case study in India’s leading marble mining company. Ilkay and Aslan (2012) believed that it is important to ensure a continuous and standardized approach to the concept quality.

ISO 9000 standards provide a company with well-documented procedures to follow in providing goods and services. In order to guarantee product quality, ISO 9000 can be implemented in any kind of organization regardless of its size, product, or sector. Casalino et al. (2012) argued that the introduction of suitable standards is considered to be a strategic asset for Small and Medium Enterprises (SMEs). There are some previous researches in relation with the implementation of QMS in SMEs conducted by previous researchers in various countries (Sun and Cheng, 2002; Singh and Singh, 2010; Bewoor and Pawar, 2010; Ashrafi and Bashir, 2011; and Ilkay and Aslan, 2012). However, the lack of studies was conducted in this field on SMEs in Indonesia especially in *Alsintan* company.

Sun and Cheng (2002) revealed that the main reasons for SMEs implementing ISO 9000 are due to market and customer demand or external pressure rather than internal initiation. Their research is based on a survey of 180 Norwegian manufacturing companies. They believed that ISO certifications are crucial in responding to market and customer requirements, but the certification itself does not have much implication for quality and performance. According to Dwi et al. (2012), the implementation of QMS in era of globalization has a significant role in SMEs to improve competitiveness. By implementing the ISO 9000 QMS, SMEs can provide assurance about the quality consistency as demanded by consumers and can increase efficiency in the production process because it can minimize failure in producing the product (Sinaga, 1998). In addition, the higher level of quality management implementation will affect positively on the financial and non-financial performance (Pandjaitan, 2011).

Currently, CV Citra Dragon has implemented a QMS that refers to the requirements in the international standard ISO 9001: 2008 and Indonesian National Standard or also known as *Standar Nasional Indonesia* (SNI) for products standard. The scope of the QMS that implemented in alsintan production process is limited to one type of product, rice thresher machine type straw thrower (thresher). Since it only focused on one product only, there is a need to extend the QMS to other products that is hydro tiller. Hydro tiller also called tractor turtle is one of the two main products produced by CV Citra Dragon. Only general documents exist for the hydro tiller production, and there are no specific documents related to hydro tiller.

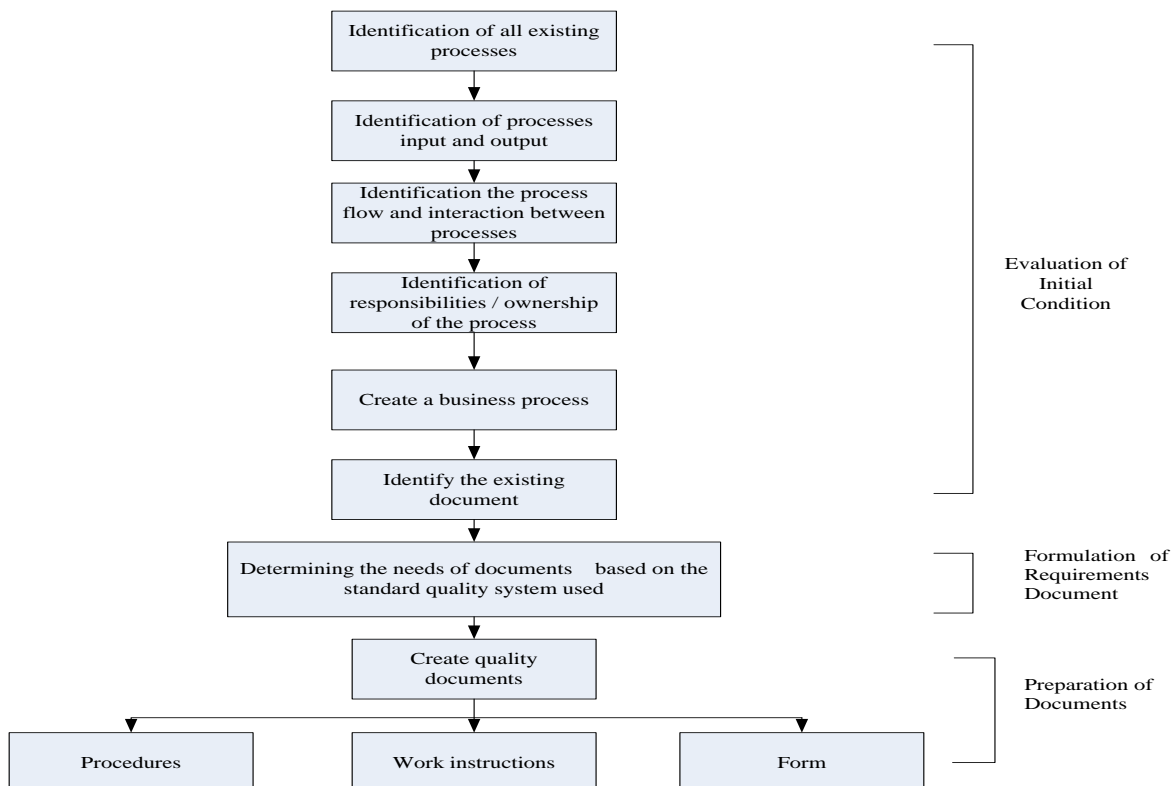
The existence of a well-documented quality document is important for a company or organization in implementing quality management systems. A documented quality system aims to ensure

compatibility between the process and the product of the particular needs or requirements. Besides, good quality system documentation can increase customer trust on the consistency of product quality. Recognizing the importance of the application of quality management for SMEs to compete with other firms, it is necessary to design a quality system documents for implementing QMS to fulfil SNI certification. The purpose of this study is designing quality management system documents, the standard operating procedures (SOPs), work instructions (WI), and documents for records (form) for *Alsintan* SMEs to help the company achieved ISO certification and SNI certification as well.

## 2 Stages in Preparation of Quality System Document in SMEs

Steps are being taken in preparing and developing the quality system documents in this study includes three main phases, namely the evaluation of the initial conditions, the determination of document needs, and develops quality system documents. In the first stage, the information about the entire processes in the company are collected that includes the type of processes, input and output processes, workflow and interaction between processes, in charge of the process, making the business process, and each activity in the process. In the second stage, the required document determined by analysing business processes and activities in each process based on the quality system standards used. At the final stage, the preparation of quality documents done by identifying the sequence of a job, the person in charge of the work, and determine the need to do a recording of a job. The implementation of a QMS consists of the following steps as shown in Figure 1.

**Figure 1** Stages of Preparation Quality System Document for SMEs

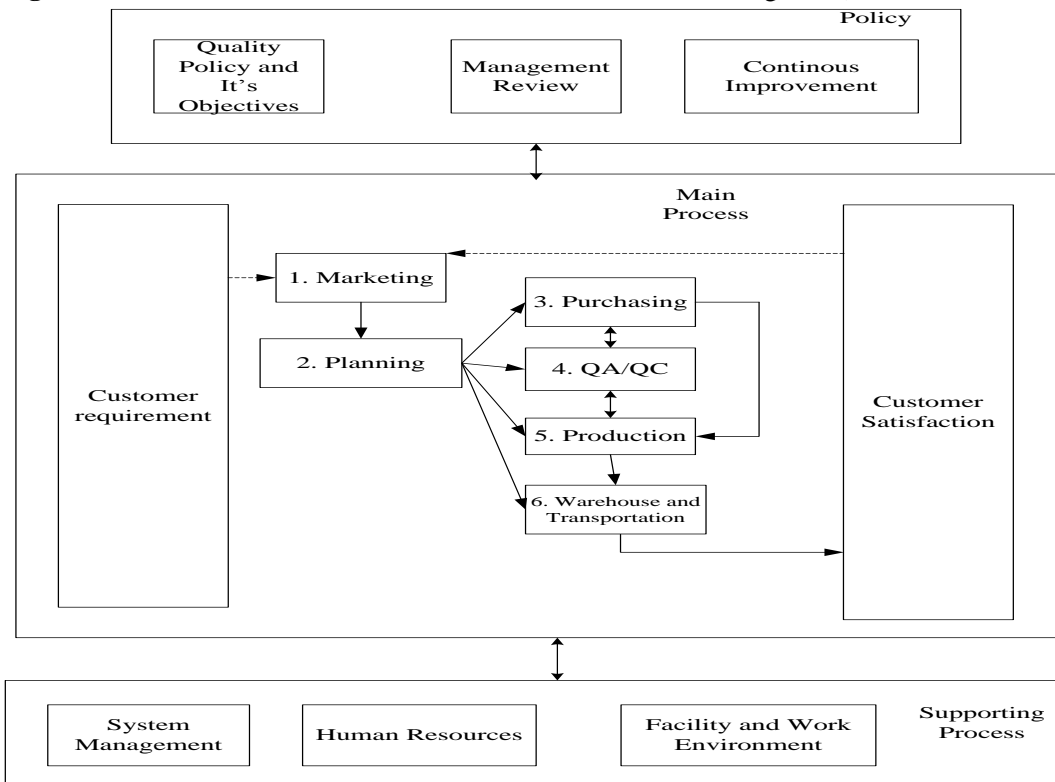


### 3 Evaluation of Initial Conditions

CV Citra Dragon has implemented a QMS based on the international standards, ISO 9001: 2008, in carrying out its activities in producing *Alsintan*. The scopes of the QMS are covering management of main processes and supporting processes. Financial management is not included in the QMS. In Figure 2 shows the interaction between the process and the main process illustrating the processes that are directly related to the product. Therefore, to expand the scope of the quality management system in product hydrotiller will require creating a QMS documents relating to the main process.

Processes that exist in CV Citra Dragon consist of the main processes, supporting processes, and policies. There are six main processes, namely marketing, planning, purchasing, quality control (QC) and quality assurance (QA), production, warehouse and shipping / transportation. The activities of marketing process are receiving customer demand, receiving customer complaints, and measuring customer satisfaction. The activity of planning process is to plan production based on demand from consumers. The activities of purchasing process are: make purchasing order, receive raw materials, verify the raw materials, return the raw materials to suppliers if the material does not fulfil the specifications, and supplier evaluation. The activities of QA/QC process are inspections of raw materials, inspection of semi-finished products, inspections of finished product / final, design and development of products, and identification of the product. The activities of production process are establishing design and development stages, producing products, and perform rework on a product that does not meet specifications. The activities of warehouse and delivery process are store raw materials, store the finished product, and product delivery.

**Figure 2** Interaction between Process CV Citra Dragon (source: CV Citra Dragon)



#### 4 Formulation of Requirements Document

The required quality documents can be seen in the business process CV Citra Dragon in Figure 3. Based on the business process, it can be seen that the document needs to be prepared for hydro tiller related major processes and fulfilment requirements of the clauses of ISO 9001: 2008 can be seen in Table 1.

**Table 1** List of Requirements Document

Clause	Main Processes	Existing Document	Documents Required
7.1 Planning of product realization	Planning	Production planning for <i>tresher</i>	Production planning for <i>hydrotiller</i>
7.3 Design and development	Planning	Tresher Product design and development stages	Hydrotiller Product design and development stages
7.4 Purchasing	Purchasing	Raw material purchasing information for <i>tresher</i>	Raw material purchasing information for <i>hydrotiller</i>
Clause	Main Processes	Existing Document	Documents Required
7.5 Production and service provision	Production, QA/QC, storing, dan delivery	Tresher production process control, <i>tresher</i> identification and traceability, and <i>tresher</i>	Hydrotiller production process control, <i>hydrotiller</i> identification and traceability, and
8.2 Monitoring and measurement	Marketing, customer satisfaction and feed back	Customer satisfaction measurement for <i>tresher</i> and customer complaints	Customer satisfaction measurement for <i>tresher</i> and customer complaints

#### 5 Preparation of Documents

##### Procedure

The procedures established in this study, are arranged based on the structure and format specified in ISO / TR10013: 2008 guidance in making quality management system documentation. The procedures consist of the title, purpose, scope, references, definitions, responsibilities, descriptions of activities and related documents. Naming and numbering the procedure is done by following the rules of naming and numbering of existing procedures such as “Product Realization Procedure” (PRP) for the procedures relating to the product procurement process, “Management System Procedure” (MSP) for procedures relating to management activities, and “Resources Procedure” (RP) for the procedures related to resource management.

The procedure prepared were design and product development procedure, supplier evaluation procedure, purchasing procedure, raw material verification procedure, production process control procedure, procedure for the identification and traceability of products, preservation procedure, and

customer satisfaction survey procedure. These procedures are based on the processes that have been running in CV Citra Dragon. The example of procedures that made can be seen in Appendix A.

### **Work Instruction**

Work instructions are detailed descriptions on how to perform and record the work. Work instructions were developed from the operational activities and hydro tiller production process. The prepared work instructions of hydro tiller state the objectives, scope of work with reference to other related documents, the person in charge, the necessary raw materials, machinery and equipment used, and a description of the process of making hydro tiller. Naming the work is done by following the instructions naming rules of existing work instructions, namely, Work Instructions Product Realization (WIRP). The numbering follows the numbering done work instructions WIRP manufacture of thresher and add a number 03 to distinguish between thresher and hydro tiller thus become "WIRP02.03 Manufacture of Hydro tiller ". The example of work instruction that made can be seen in Appendix B.

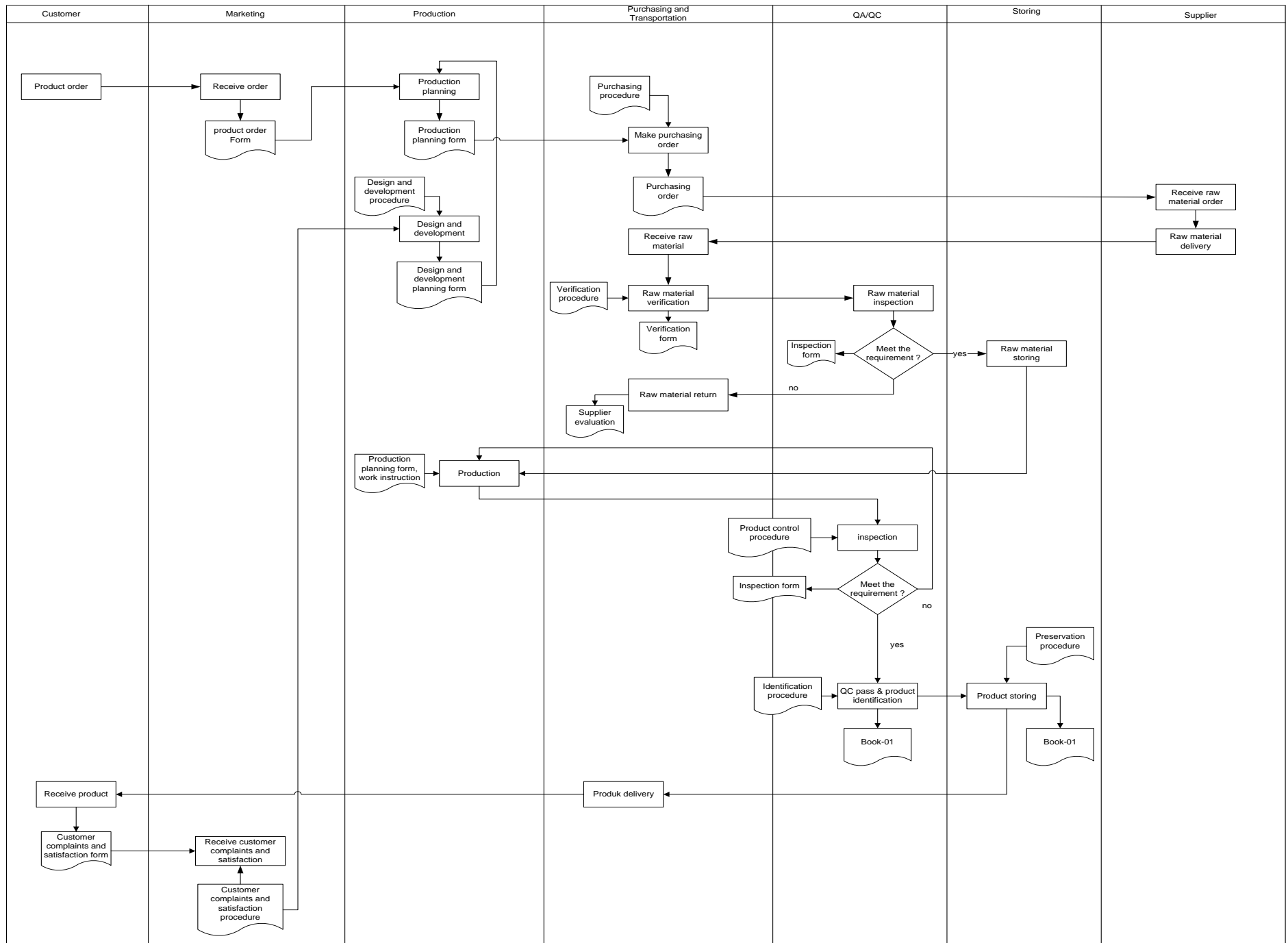
### **Form**

Forms were designed to record the results achieved or as evidence to show that an activity in a documented procedure has been executed. Therefore, the naming and numbering recording form refers to the related documented procedures. For example, the procedure "PRP 01.02 Design and Development Procedure" is related to the recording form "PRF 01.02.01 Planning of Hydro tiller Design and Development" and "PRF 01.02.02 Evaluation and Validation of Hydro tiller Design and Development". The example of form that made can be seen in Appendix C. Summary of procedures have been designed in this research can be seen in Table 2.

**Table 2** Summary of Documents Created

ISO Clause	2 <sup>nd</sup> Level Document	3 <sup>rd</sup> Level Document	4 <sup>th</sup> Level Document	Others Document	
7.1 Planning of product realization	-	-	-	<i>Quality Plan</i>	
7.3 Design and Development	Design and development procedure	Work instruction of hydrotiller production	Hydrotiller Design and development Form	-	
	Planning and production process procedure		Hydrotiller Evaluation dan Validation Design Hydrotiller production planning Form		
7.4 Purchasing	Purchasing of raw material	-	Supplier evaluation Form	-	
	Purchasing procedure		List of Supplier <i>Purchasing Order</i>		
	Material receiving procedur		Material verification sheet Material inspection sheet		
7.5 Production and service provision	Production Process Control Procedure	-	Production Process Inspection Sheet	-	
	Identification and Traceability Procedure		-		Book- 01 Identification and product delivery
	Products Preservation Procedures				
8.2 Monitoring and measurement	Customer Satisfaction Measurement Procedures	-	Customer Satisfaction Measurement Form	-	
	Customer Complaints Handling Procedures		Handling Customer Complaints Form	-	

**Figure 3** Business Process CV Citra Dragon





## 6 Conclusion

This paper has explained the development of QMS documents for Hydro tiller production unit. The QMS documents required in the hydro tiller production unit are for the second, third, and fourth level document including procedure, work instruction, and form. Preparation of these documents is based on existing requirements in the clause of ISO 9001: 2008 QMS standards as used. Making these documents can help in certification of *SNI* for hydro tiller. The next stage will involve CV Citra Dragon implementing the QMS document that was developed in this research to expand the scope of their quality management system.

Future studies should assess the performance of the quality management system implemented in CV Citra Dragon by evaluating the fulfilment of ISO 9001: 2008 requirements with the actual practice. It is hoped that the system will be of great benefit for this medium sized company and for other companies to follow suit.

## ACKNOWLEDGEMENT

The authors would like to acknowledge the financial support provided by Andalas University through BOPTN fund No. 02/UN.16/PL/API/2014.

## References

- Amitava, Mitra.(1998). *Fundamental of Quality Control and Improvement 2<sup>nd</sup> Ed.* New Jersey : Prentice Hall
- Ashrafi, Rafi and Bashir, Hamdi A. (2011). ‘Implementation of quality management in organisations operating in the Sultanate of Oman: ISO 9001:2000 vs. non-ISO 9001:2000 certified organisations.’ *Int. J. of Productivity and Quality Management*, Vol.7, No.2, pp.183 – 201.
- Badan Standarisasi Nasional (2008). *ICS.03.120.10*. Jakarta: Badan Standarisasi Nasional.
- Bakhtiar, Arfan dan Akhmad Syakhroni. (2005). ‘Process Documentation in Injection Molding Machine Assembly Unit as Preparation of Quality Management System ISO 9001: 2000 Implementation (Case Study in PT. XYZ).’ *Transistor*. Vol. 5, No. 2, pp. 46 -59.

*Author*

- Bewoor, Anand K. and Pawar, Maruti S. (2010). 'An empirical study of the motives and benefits of QMS/ISO implementation among Indian SMEs.' *Int.l J. of Productivity and Quality Management*, Vol.6, No.3, pp.379 – 406.
- Casalino, Nunzio, D'Atri, Alessandro, and Braccini, Alessio Maria. (2012). 'A Quality Management Training System Concerning ISO standards for Sustainable Organizational Change in SMEs.' *Int. J. of Productivity and Quality Management*, Vol. 9, No. 1, pp. 25 – 45.
- CV. Nugraha Chakti Consultant.(2012). *Preparation of Action Plan for Development of Agricultural Equipment Leading Industry in West Sumatera*. Padang
- Devpura, Mitul; Reyes, Jose Arturo Garza; Kumar, Vikas; Lona, Luis Rocha; and Meier, Horacio Soriano. (2014). 'Exploring the application of Quality Improvement Programmes and ISO standards in the Indian Marble Mining Sector.' *Int. J. of Productivity and Quality Management*, Vol. 13, No. 3, pp. 310 – 328.
- Dwi, Christine K.S., L. Agustina, dan V. Carolina. (2012). 'Theoretical Study of the Quality Management System in Small and Medium Enterprises Facing the Challenges of Globalization.' *4<sup>th</sup> National Seminar and Call for Papers Indonesia Management Forum: "Indonesia Family Business Sustainability*. 13 – 14 November 2012. Ina Garuda Hotel, Yogyakarta
- Garvin, David. (1988). *Managing Quality the Strategic and Competitive Edge*. New York : The Free Press
- Goetsch, D. And Davis, S. (2002). *Understanding and Implementing ISO 9000: 2000*, 2<sup>nd</sup> Edition, Prentice Hall, Upper Saddle River, New Jersey.
- Ilkay, Mehmet Sitki and Aslan, Emre. (2012). 'The effect of the ISO 9001 Quality Management System on the performance of Small and Medium Enterprise.' *Int. J. of Quality and Reliability Management*, Vol. 29, No. 7, pp. 753 – 778.
- International Organization for Standardization. (2001). *ISO/TR 10013*. Geneva : International Organization for Standardization.
- Ho, Samuel KM. (1999). *Operations and Quality Management*. London : International Thomson Business Press.

*Title*

- Pandjaitan, L.E., M. Syamsun, dan D. Kadarisman. (2011). *Study of QMS Implementation Level on SME's Performance in Nata de Coco Agro-Industry Sector in Bogor . Small and Medium Enterprises Management*. 6(2). 117 – 124
- Rawahi, Abdullah M. S. And Bashir, Hamdi A. (2011). 'Investigating the Association between Organizational Differences and the Implementation of ISO 9001: 2000.' *Proceedings of the 2011 International Conference on Industrial Engineering and Operations Management*, Kuala Lumpur, Malaysia, Januari 22 – 24, 2011.
- Sinaga, Febi S.M. (1998). *Study of Quality Management System and Food Safety Internship Case in PT Tri Kunci Mas Industri Palembang*. Bogor Institute of Agriculture. Bogor.
- Singh, J. and Singh, H. (2010) 'Assessment of continuous improvement approach in SMEs of Northern India', *Int. J. Productivity and Quality Management*, Vol. 5, No. 3, pp.252–268.
- Sun, Hongyi and Cheng, Tsz –Kit. (2002). 'Comparing reasons, practices, and effect of ISO 9000 certification and TQM Implementation in Norwegian Small and Medium Enterprises (SMEs) and Large Firms.' *International Small Business Journal*. Sage Publications. Vol. 20(4): 421 – 442. London
- Tague, Nancy R. (2005). *The Quality Tool Box 2<sup>nd</sup> ed*. Milwaukee: ASQ Quality Press

*Author*

## **Appendix A.**

### **PRP 01. 02 – Design and Development Procedure**

#### **1. Objective**

This procedure aims to ensure the design and development stage is done consistently and in accordance with the applicable provisions.

#### **2. Scope**

This procedure describes the procedures for the design and development of products that includes planning, input, output, review, verification, validation, and control of design and development changes.

#### **3. Reference**

- 3.1. Quality Manual
- 3.2. ISO 9001:2008 clause 7.3

#### **4. Definitions**

The design and development establish processes that change the requirements set into a certain characteristic to the product specification, or system.

#### **5. Responsibility and Authority**

- 5.1. Head of production coordinate the planning design and development process.
- 5.2. QA/QC staff defines and control the design and development stages.

#### **6. Description of Activities**

##### 6.1. Design and Development Planning

- 6.1.1. Head of production set design and development stages.
- 6.1.2. QA/QC staff set a review, verification, validation, which are appropriate to each stage.
- 6.1.3. Director assigns responsibility and authority for each stage of design and development.
- 6.1.4. QA/QC staff coordinates with the production department in the implementation of the product design and development.

*Title*

- 6.1.5. If there is a change in plan design and development, design outputs updated during design and development took place.
- 6.1.6. QA/QC staff record the design and development planning in the form of PRF 01.02.01, design planning and development.

6.2. Design and Development Inputs

- 6.2.1. QA/QC staff set the input of the design and development of hydro tiller product, which includes:
  - 6.2.1.1. terms of functionality and performance products
  - 6.2.1.2. the legislation and regulations applicable
  - 6.2.1.3. information derived from previous similar designs
  - 6.2.1.4. other essential requirements for design and development
- 6.2.2. Source of input to the design and development can be derived from the following things:
  - 6.2.2.1. market changes, business direction, and the condition of the company
  - 6.2.2.2. communication with customers
  - 6.2.2.3. the direction of top management (board of directors)
  - 6.2.2.4. experience of the personnel who involved in the production
  - 6.2.2.5. requirements / specifications of product quality
- 6.2.3. QA/QC staff reviews the completeness of the requirements of the products design and development.
- 6.2.4. QA/QC staff maintains the input record of the design and development in the form of design and planning, PRF 01.02.01

6.3. Design and Development Outputs

- 6.3.1. QA/QC staff set the input of the design and development of product.
- 6.3.2. Design outputs must allow for verification.
- 6.3.3. Design and development outputs recorded in the form of design and development, PRF 01.02.01.

*Author*

- 6.3.4. Outputs that have been recorded in the PRF 01.02.01 submitted to top management for approval.
- 6.3.5. QA/QC staff to ensure that design and development outputs able to:
  - 6.3.5.1. meet the requirements of the design and development input
  - 6.3.5.2. provide information for purchasing, production, and after sales service
  - 6.3.5.3. refer to the product acceptance criteria (as per specification)
  - 6.3.5.4. meet the security and convenience products for users
- 6.4. Design and Development Review
  - 6.4.1. QA/QC staff of a review of the design and development which include:
    - 6.4.1.1. capability assessment results to meet the requirements
    - 6.4.1.2. identification of the problem and recommended action required
  - 6.4.2. QA/QC staff maintains a record of the results of the review and actions required on PRF 01.02.02, evaluation and validation of design and development.
- 6.5. Design and Development Verification
  - 6.5.1. QA/QC staff verifies the suitability of the design and development outputs with the design and development input requirements.
  - 6.5.2. QA/QC staff records the results of the verification and measures in the form of evaluation and verification of design and development, PRF 01.02.03.
- 6.6. Design and Development Validation
  - 6.6.1. Staff QA/QC validates and conducts the product design and development.
  - 6.6.2. Validation should be completed before the submission or implementation of the production process.

*Title*

- 6.6.3. Staff QA/QC record results in PRF 01.02.03 validation and submit the form to the MR and top management.
- 6.6.4. If top management approved the design and development deserves to be produced, then the relevant sections immediately prepare production plans.
- 6.6.5. Staff QA / QC maintains records of validation results and actions required during design and development.

6.7. Control of Design and Development Changes

- 6.7.1. Staff QA/QC control and communicate any changes to the relevant section.
- 6.7.2. Each design and development is reviewed, verified, validated, and approved by top management before implementation.
- 6.7.3. Review of design and development changes include evaluation of the effect of changes in the products and the products that have been submitted.
- 6.7.4. Staff QA/QC maintains results of the review of changes and the necessary actions contained in PRF 01.02.03.

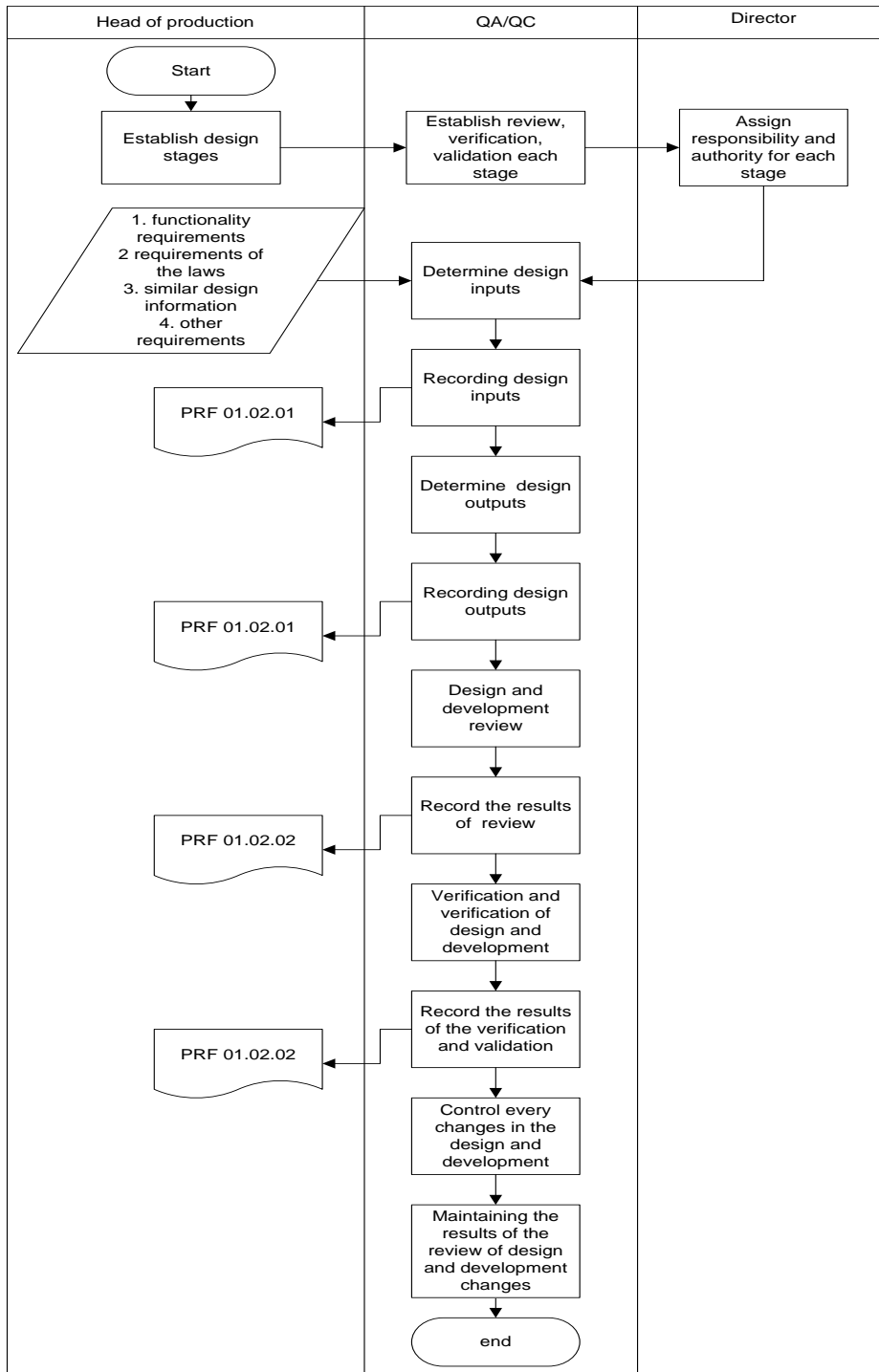
**7. Records**

PRF 01.02.01 Form Hydro tiller Design and Development Planning

PRF 01.02.02 Form Hydro tiller Design and Development Stages

PRF 01.02.03 Form Evaluation and Validation Design and Development

Author



Flowchart Design and Development



*Title*

## **Appendix B**

### **WIRP 02.03 - Manufacture of Hydro tiller**

#### **1. Objective**

The aim of work instructions is to ensure the process of making hydro tiller run in accordance with the steps set includes the preparation and treatment of raw materials, the first assembly, assembly II, III assembly and painting

#### **2. Scope**

It is applied to the process of making hydro tiller in CV Citra Dragon.

#### **3. Reference**

- 3.1. Quality Manual
- 3.2. ISO 9001:2008 clause 7.3

#### **4. Definition**

-

#### **5. Responsibility**

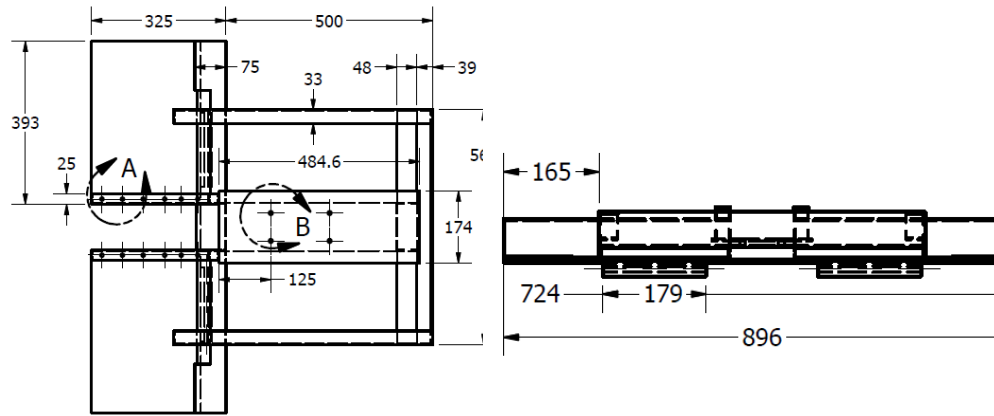
- 5.1. The head of the production department is responsible for the process of making hydro tiller.
- 5.2. The production operator is responsible for operating the production, manufacture hydro tiller accordance with work instructions.

#### **6. Instruction**

- 6.1. Preparation of the body
  - 6.1.1. Measure 2 mm thick plate by using a tape measure or a mall to make the floor.
  - 6.1.2. Mark the measurement results with chalk.
  - 6.1.3. Cut the plate which has been measured by using a plate cutting machines.
  - 6.1.4. Measure 2 mm thick plate by using a tape measure or a mall to make the body amplifier.
  - 6.1.5. Cut the plate which has been measured by using a plate cutting machines.

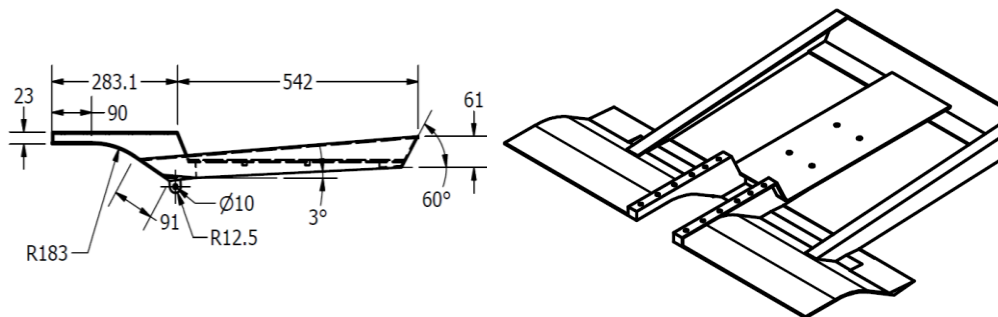
Author

6.1.6. Joint the floor and the amplifier into the body by using welding machine as shown in the following figure:



Body top view

Body front view



Body side view

## 6.2. Preparation of pontoon

6.2.1. Measure 3mm thick plate with a tape measure to make pontoon floor.

6.2.2. Mark the plate which has been measured by using chalk

6.2.3. Cut the marked plate, then formed by using a press machine to make the floor of the pontoon.

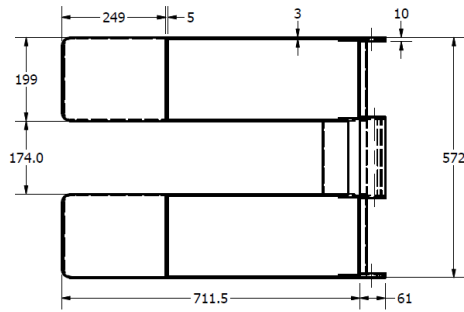
6.2.4. Measure 2mm thick plate with a a tape measure to make a pontoon wall.

6.2.5. Mark the plate which has been measured by using chalk.

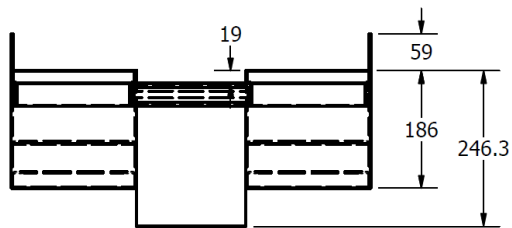
*Title*

6.2.6. Cut the marked plate, then formed by using a press machine to form the walls of the pontoon.

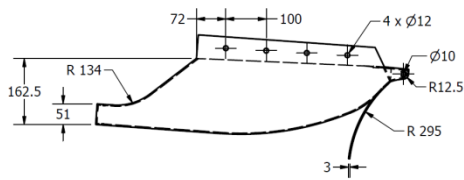
6.2.7. Assembly the floor pontoon and walls by welding process



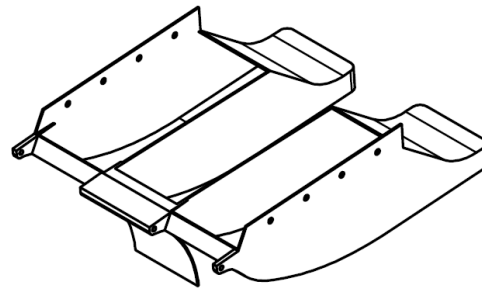
Pontoon top view



Pontoon front view



Pontoon side view



### 6.3. Preparation of Gearbox

6.3.1. Measure 3 mm thick plate with a tape measure and mark cutting results.

6.3.2. Cut the plate which has been marked by using plate cutting machines.

6.3.3. Mark the plate that has been cut to create gearbox housing.

6.3.4. Press the plate that has been marked using a press machine

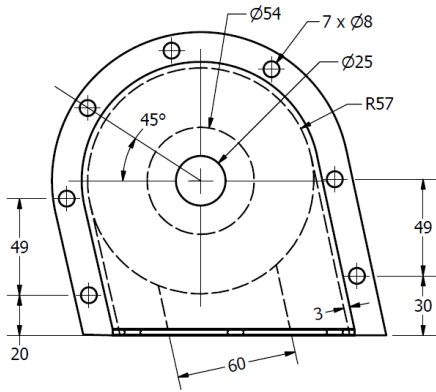
6.3.5. Drill the edge of the gearbox housing to make holes.

6.3.6. Measure the iron as with tape measure, then mark.

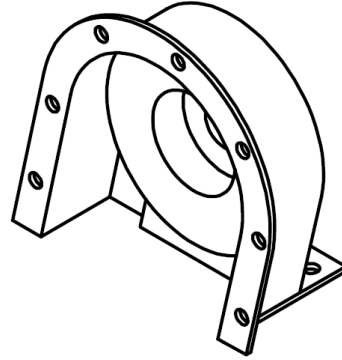
6.3.7. Do the lathing process to the iron as which has been measured to make the axis.

6.3.8. Assembly the gearbox housing, axis, large gears, small gears, and chains into the gearbox.

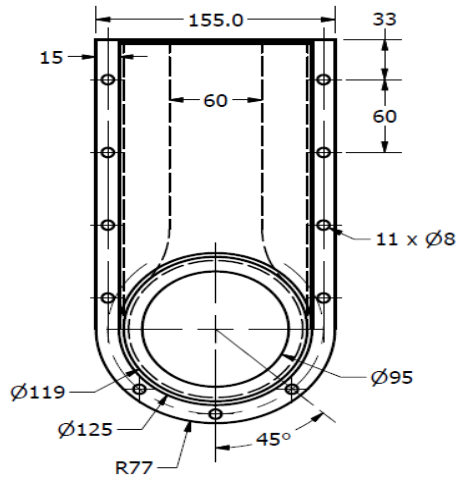
Author



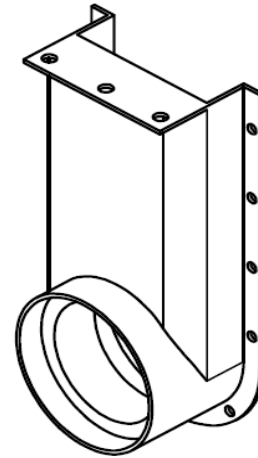
Upper gearbox housing



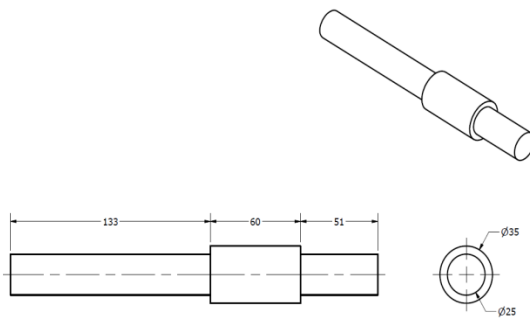
Upper gearbox housing



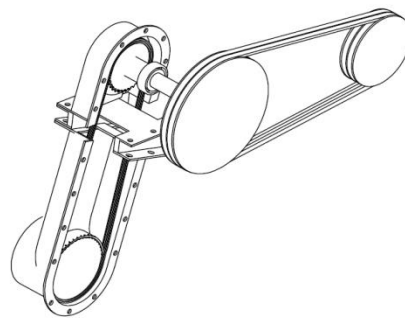
lower gearbox housing



lower gearbox housing



Gearbox axis

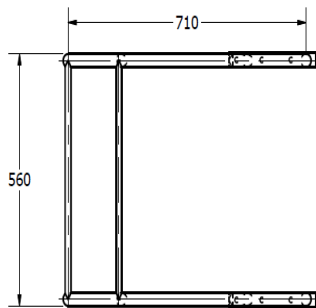


Transmission system

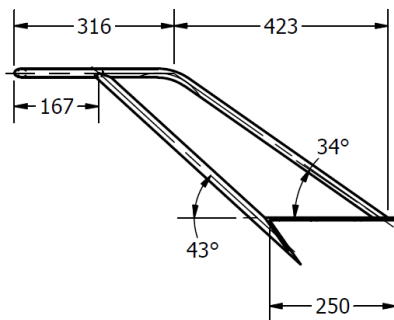
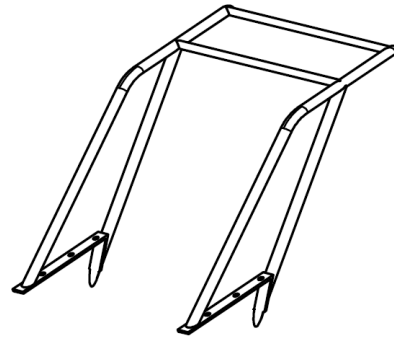
*Title*

#### 6.4. Preparation of Handle

- 6.4.1. Measure 2 mm diameter iron pipe with a length of 3000 mm.
- 6.4.2. Cut iron pipe which has been measured using a chainsaw or cutting grinding machine.
- 6.4.3. Bend iron pipe that has been cut to form the letter U and bends down.
- 6.4.4. Attach the stand around bends down using an iron pipe with a welding process.
- 6.4.5. Punch a hole through the ends of the iron pipe to be assembled with the body.



Handle top view



Handle side view

#### 6.5. Preparation of Wheels

- 6.5.1. Measure the iron rods of 12 mm diameter with a length of 1200 mm.

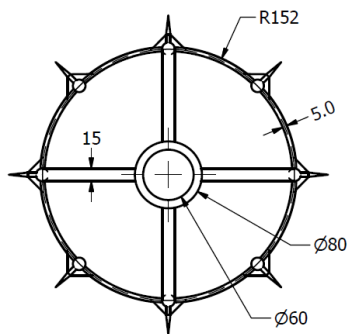
Author

6.5.2. Form of iron rods into a circle with a radius of 152 mm and weld the ends. Create as many as 8 circles.

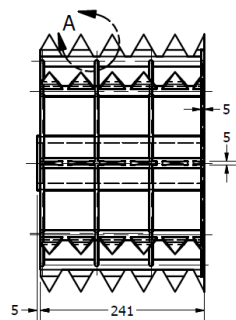
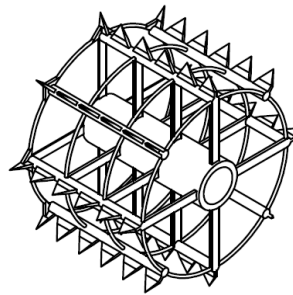
6.5.3. Measure and cut iron strip along the spokes of a wheel as many as 32 pieces.

6.5.4. Pressed 3 mm thick iron plate to create leaf wheel.

6.5.5. Put the pieces to form a wheel by welding process as shown below:



Wheel Side View



Wheel Front view

6.6. Assembly I (body, pontoon, and gearbox)

6.6.1. Assemble components of the body using a welding machine.

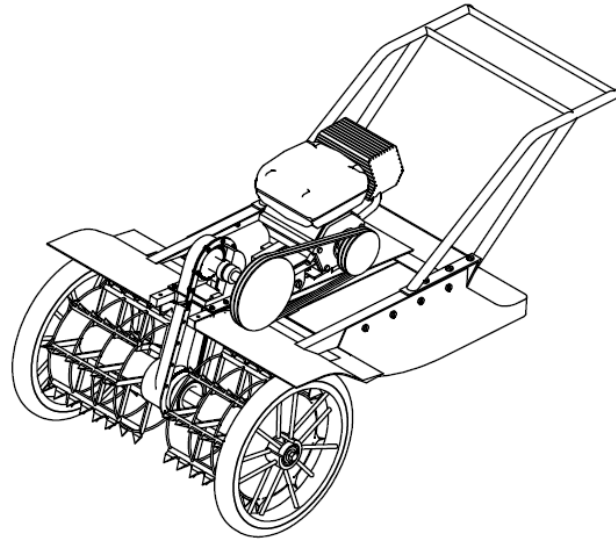
6.6.2. Trim and clean the floor assembly with a grinding process using a grinding machine.

6.6.3. Assemble components of pontoon using a welding machine.

*Title*

- 6.6.4. Assemble components of gearbox using a welding machine.
  - 6.6.5. Assemble body to pontoon by using a welding machine, nuts, and bolts.
  - 6.6.6. Assemble body and pontoon with gearbox using welding machines, nuts, and bolts into assemblies I.
  - 6.6.7. Trim and clean the assembly I with the grinding process by using a grinding machine.
- 6.7. Assembly II (assembly I and handle)
- 6.7.1. Assemble the entire components of the handle using a welding machine, nuts, and bolts.
  - 6.7.2. Assemble assembly I and handle into assembly II using welding machines, nuts, bolts, and washers.
  - 6.7.3. Trim and clean the assemblies II with grinding process using a grinding machine.
- 6.8. Assembly III (finished product)
- 6.8.1. Assemble the entire components of the wheel using welding machine, nuts, and bolts.
  - 6.8.2. Assemble assembly II and wheel using welding machines, nuts, bolts, and washers.
  - 6.8.3. Assemble assembly II and the pulley wheel, pulley cap, and retaining iron pulley into assembled III/finished products.
  - 6.8.4. Trim and clean the finished product with the sanding process.
  - 6.8.5. Ensure/check assembly II has met the requirements set.
  - 6.8.6. Paint finished product using priming and dry.
  - 6.8.7. Paint finished products neatly with paint as needed and dry.
  - 6.8.8. Store the finished product in the warehouse.

*Author*



Hydro tiller



*Title*

**Appendix C.  
PRF 01.02.02 Form Hydro tiller Design and  
Development Stages**

**Design and Development Stages**

No.	Design and Development Stages	PIC	Work Schedule		Description
			Start	End	

....., .....

Made by,

Approved by,

Head of Production

Director



